

# PRODUCT INFORMATION PACKET

Model No: 5KC39RN44X  
Catalog No: C334  
1,3450,DP,56C,1/60/115/230  
Single Phase



Regal and Marathon are trademarks of Regal Beloit Corporation or one of its affiliated companies.  
©2018 Regal Beloit Corporation, All Rights Reserved. MC017097E



**Nameplate Specifications**

Output HP	<b>1 Hp</b>	Output KW	<b>0.75 kW</b>
Frequency	<b>60 Hz</b>	Voltage	<b>115/208-230 V</b>
Current	<b>13.2,6.5-6.6 A</b>	Speed	<b>3450 rpm</b>
Service Factor	<b>1.4</b>	Phase	<b>1</b>
Efficiency	<b>68.1 %</b>	Duty	<b>Continous</b>
Insulation Class	<b>B</b>	KVA Code	<b>J</b>
Frame	<b>56C</b>	Enclosure	<b>Drip Proof</b>
Overload Protector	<b>AUTO</b>	Ambient Temperature	<b>40 °C</b>
Drive End Bearing Size	<b>6203</b>	Opp Drive End Bearing Size	<b>6203</b>
UL	<b>Recognized</b>	CSA	<b>Yes</b>
CE	<b>N</b>		

**Technical Specifications**

Electrical Type	<b>Capacitor Start Induction Run</b>	Starting Method	<b>SM</b>
Poles	<b>2</b>	Rotation	<b>Clockwise/Counterclockwise</b>
Mounting	<b>Round</b>	Motor Orientation	<b>ANY</b>
Drive End Bearing	<b>LOCKED</b>	Opp Drive End Bearing	<b>BALL</b>
Frame Material	<b>Rolled Steel</b>	Overall Length	<b>12.59 in</b>
Frame Length	<b>8.5 in</b>	Shaft Diameter	<b>0.63 in</b>
Shaft Extension	<b>1.88 in</b>	Thru-bolts Extension	<b>0</b>
Outline Drawing	<b>52A102689P7</b>	Connection Diagram	<b>52A105383AA</b>

**This is an uncontrolled document once printed or downloaded and is subject to change without notice. Date Created: 10/08/2018**

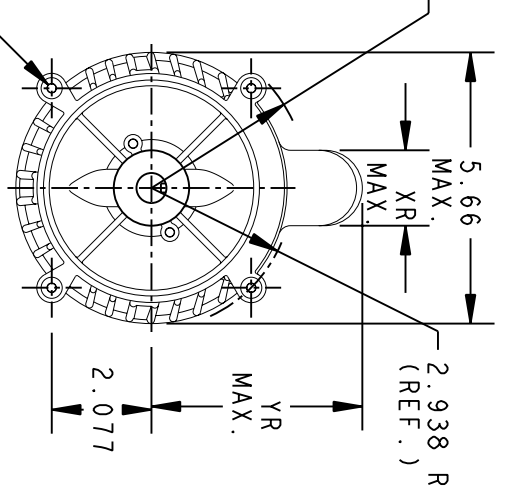
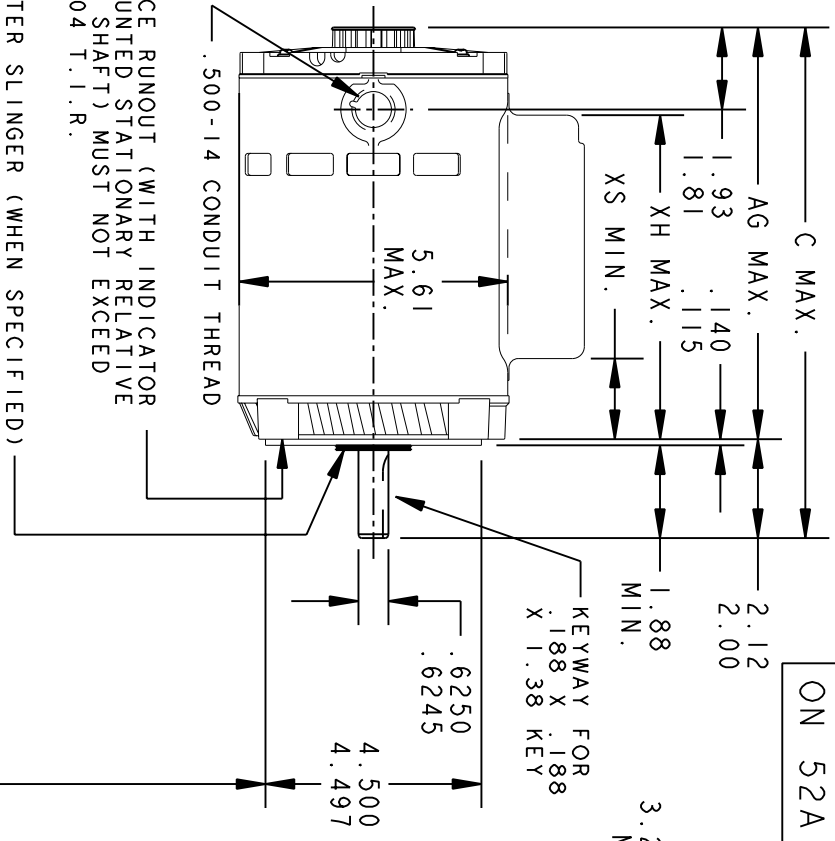
THIRD ANGLE PROJECTION



REVISIONS

REV.	DESCRIPTION	DATE	APPROVED
9	1.88 MIN. WAS 1.88 MAX	07/30/92	BLJ
10	FORMAT CHG PER ISAAC 05-1777	01/06/06	RAJKUMAR
11	UPDATED AS PER ISAAC 06-0816	04/06/06	ARCHANA

CONTINUED  
ON 52A105698



.375-16 UNC-2B (4 HOLES)  
.82 MIN. FULL THD. THESE  
HOLES FIT A GAGE HAVING A  
RABBET 4.5005 DIA. AND 4  
PINS .2917 DIA. LOCATED ON  
THE BASIC HOLE POSITIONS.

FACE RUNOUT (WITH INDICATOR MOUNTED STATIONARY RELATIVE TO SHAFT) MUST NOT EXCEED .004 T.I.R.  
WATER SLINGER (WHEN SPECIFIED)  
ECCENTRICITY OF THIS SURFACE (WITH INDICATOR MOUNTED STATIONARY RELATIVE TO SHAFT) MUST NOT EXCEED .004 T.I.R.

8	KC	39	56C	12.59	10.49	2.66	8.32	1.60	4.34	8.50
7	KC	39	56C	12.59	10.49	3.27	8.91	1.60	4.34	8.50
6	KC	39	56C	11.84	9.74	2.52	8.16	1.60	4.34	7.75
5	KC	38	56C	11.31	9.21	1.99	7.63	1.60	4.34	
4	KC	37	56C	10.71	8.61	1.39	7.03	1.60	4.34	
3	KC	36	56C	10.31	8.21	1.39	6.63	1.60	4.34	
2	KC	37	56C	10.71	8.61	1.39	7.03	2.22	4.96	
1	KC	39	56C	12.59	10.49	3.02	8.66	1.60	4.34	8.50
P	TYPE	GE SIZE	NEMA FR	C	AG	XS	XH	XR	YR	SHELL REF.



REGAL-BELOTT CORPORATION

OUTLINE

FORM N - PUMP MOTOR - DRIP PROOF - R2 END MOUNTED  
SLEEVE & BALL BEARING - FMF:5K37MM134T

SIGNATURES		DATE
MODEL	B.A.C	04/24/78
DETAIL		
CHECKED		
ENGRG		
MFG		
QUALITY		
ISSUED	B.L.J	03/23/92
SOLID MODEL:	52A102689	

TITLE	SIZE	SCALE	REF. No.	SHEET
FORM N - PUMP MOTOR - DRIP PROOF - R2 END MOUNTED SLEEVE & BALL BEARING - FMF:5K37MM134T	DRAWING A	0.250		1 of 1

52A102689 11


EITHER ROTATION, DUAL VOLTAGE, TYPE KC OR KH, WITH THERMAL PROTECTION



NOTE #1 - START CAP & J9 WHEN SPECIFIED (\*). IF NO CAPACITOR (KH), CONNECT T5 DIRECTLY TO SWITCH (A). WHEN MORE THAN ONE CAPACITOR IS USED, CONNECT IN PARALLEL.

NOTE #2 - TO REVERSE ROTATION, INTER CHANGE RD(T8) AND BLK(J9-KC OR T5-KH) LEADS.

SWITCH REF. - 115D958AB	CONNECTION LABEL	CCW ROTATION: NP52X332051AA
		CW ROTATION: NP52X332051AC

NO.	REVISION	BY & DATE	CHK	ANG	TOLERANCES UNLESS SPECIFIED		FINISH	DRAWN M.D.P 06/29/87		
					DEC.	INCHES				
					.X	±0.1	 <b>REGAL-BELOIT CORPORATION</b>	CHK		
					.XX	±0.02		TITLE	APPD M.D.P 03/26/96	
5	ADDED CONNECTION LABEL PER ECO-0030779	UD 02/06/13	PKG	.XXX	±0.005		CONNECTION DIAGRAM 30 FRAME SWITCH REDESIGN	SCALE 1=1		
4	UPDATED PER ISO7-0150	MD 01/23/07		.XXXX	±0.0005	MAT'L.		REF		
					±1.0			FMF		
								PREV		
THIS DRAWING IN DESIGN AND DETAIL IS OUR PROPERTY AND MUST NOT BE USED EXCEPT IN CONNECTION WITH OUR WORK. ALL RIGHTS OF DESIGN AND INVENTION ARE RESERVED. THIS IS AN ELECTRONICALLY GENERATED DOCUMENT - DO NOT SCALE THIS PRINT				RFP		CAD FILE	52A105383AA	SIZE	DRAWING NO.	REV.
				DIST				A	52A105383AA	5